

The original. Reborn.

The new Kalmar T2 terminal tractor.



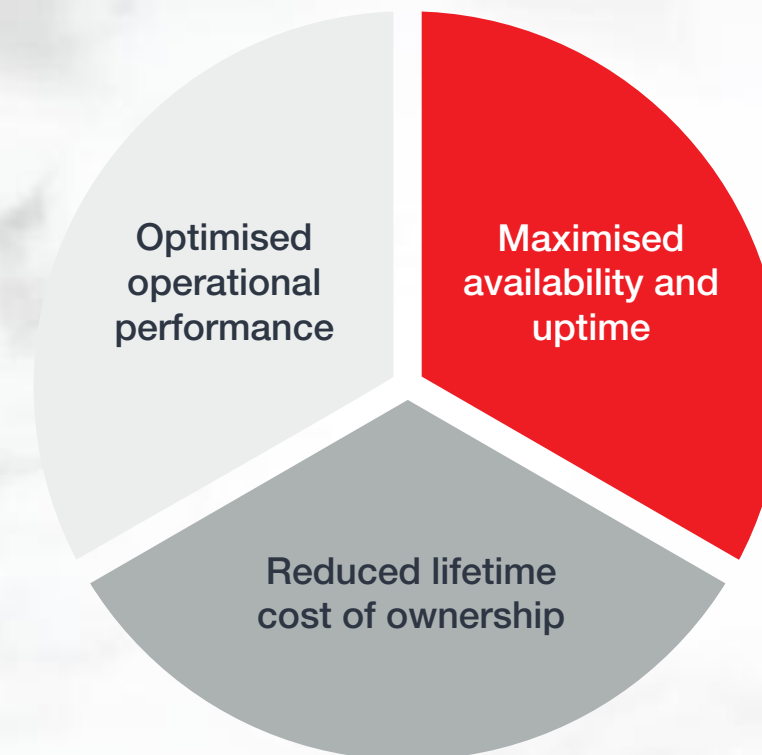
Driver driven: throughput up, costs down

Three good reasons to choose the new Kalmar T2

The new Kalmar T2 terminal tractor builds on almost 60 years of heritage and over 60,000 units manufactured to produce a reliable, driver focused machine, capable of working in the harshest of environments.

The new Kalmar T2 terminal tractor, with its remarkable flexibility, is designed to operate both in the busiest distribution terminals as well as in heavier (LoLo) port operations. It joins the range of other terminal tractor models offered by Kalmar, including Kalmar Ottawa T2 4x2/6x4, TL 4x2, TT/TR/TRL618i and TR626/632i.

The T2 has been designed with the key objectives of safe and efficient drivers and lowest lifetime cost of ownership at the forefront of our thinking. Engineered to optimise operational performance and flexibility, the T2 is a machine that exceeds expectations with key features that set it apart from other terminal tractors. The Original. Reborn.





Optimised operational performance

New clear-view cabin

The new clear-view cabin delivers an uninterrupted view of the working environment, improving safety and reducing damage through panoramic visibility and increased awareness. This enhanced driver confidence results in faster cycle times and lower cost per trailer movement.

Ergonomic design

All major controls have been designed to fall readily to hand for smooth operation and improved operator acceptance.

Easy access and built-in safety

With two points of access into the cabin and a flat rear access platform, the Kalmar T2 speeds up the hooking-up process, reduces driver fatigue, improves productivity and lowers operating costs.

With certification to meet Roll Over Protection Standards (ROPS) and Falling Object Protection Standards (FOPS) as well as noise reducing high-density cabin insulation – both engineered-in as standard, the driver's comfort and confidence is assured, maximising productivity.

Maximised availability and uptime

Product availability and uptime is a key factor when calculating total cost of ownership. The Kalmar T2 locates all key service items into one easily-accessible location so drivers complete daily checks quickly and efficiently, maximising operating time.

Improved serviceability

Service downtime is reduced through the use of service panels providing easy access to key components and consumable parts. This ensures uptime is enhanced and key servicing costs are reduced.

Proven Kalmar quality

Kalmar is renowned for quality, robust construction – and the Kalmar T2 continues this heritage. Revised suspension points mean fewer wear components while a fully-bolted and optional galvanised chassis ensures strength is at the core of the T2 to guarantee reliable service when moving the heaviest of loads in the harshest working environment.



Reduced lifetime cost of ownership

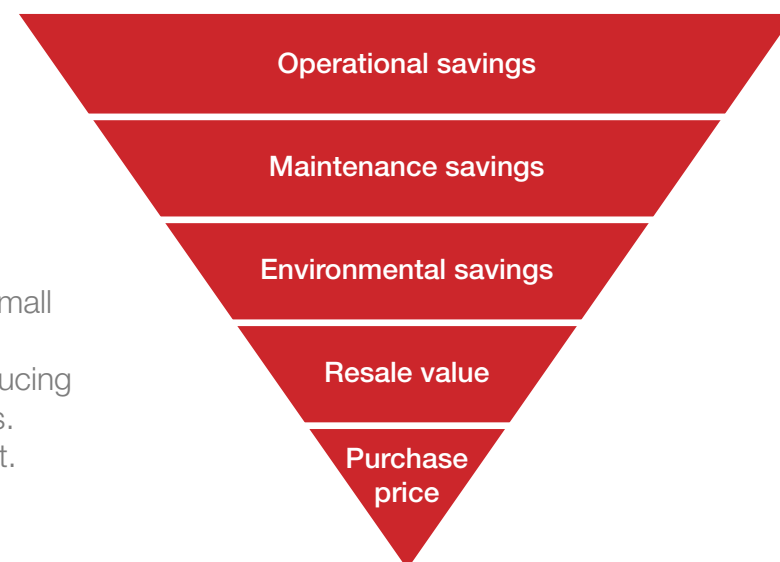
Improving cycle times for trailer movements is of vital importance when calculating cost of ownership.

Kalmar T2 ensures operator productivity is maximised with improved driver ergonomics and safety through optimum visibility and ease of use. This ensures cycle times are reduced, allowing more movements per shift and greater throughput for you.

Saving fuel is easy with the T2's new innovative fuel efficiency system. An electronic system manages engine RPM while the powertrain and transmission feature efficiency programmes – all designed to improve fuel consumption by around 10% and cut CO₂ emissions. The benefit for your operations is huge with average fuel savings totalling in excess of €4,000 per truck, per year.

Lifetime savings

Purchase price represents only a small part of the total cost of ownership. What matters in the long run is reducing operational and maintenance costs. And that is what Kalmar is all about.



Cost saving benefits

10% reduction in fuel consumption

Powertrain efficiency combined with electronic engine RPM management results in up to 10% reduction in fuel consumption.

Tailored to requirements

Manufacturing flexibility and modular construction enables the Kalmar T2 to be fully tailored to your exact requirements, reducing cost by not overspecifying the product.



Support to keep you operational

As a leading provider of cargo handling equipment, automation solutions and services, we have more people in the field ready to offer support and service when you need it most.



2-year or 4,000-hour warranty

All new Kalmar T2 terminal tractors are equipped with a standard 2-year or 4,000-hour warranty, giving you peace of mind and helping to manage and reduce your operating costs.

Our unrivalled expertise in professional services for cargo handling solutions is built on our strong heritage as a manufacturer of high-quality equipment. With more than 1,500 service staff in more than 100 countries, we're close to you wherever you are.

Built-in features to reduce lifetime costs

The new T2 has been designed to offer flexibility, efficiency and optimised driver productivity, ensuring your total cost of ownership is the lowest possible throughout the lifetime of the machine.

If you do need support, all new Kalmar T2 terminal tractors are equipped with a standard warranty, helping to manage and reduce operating costs.

Our main concern is keeping you operational at all times. With key features built into the T2 such as quality construction, easily-accessible controls, and innovative fuel efficiency system, downtime and repairs are minimised and servicing costs are reduced.

On-call technical support

Kalmar offers extensive service and support packages, available to you wherever your operation may be located. As a worldwide company, we are better positioned than most equipment manufacturers to provide a truly global service.

Kalmar Care is a range of four service contracts for all brands and types of cargo-handling equipment. Each contract type is designed to improve operational efficiency and financial predictability, helping to reduce total cost of ownership, and includes a set of standardised service modules to choose from.

Backed by our dedicated service team, offering full parts service and technical support, the T2 is designed to optimise your operational performance while driving down costs through efficiency improvements – because we understand the importance of making your every move count.

Dimensions

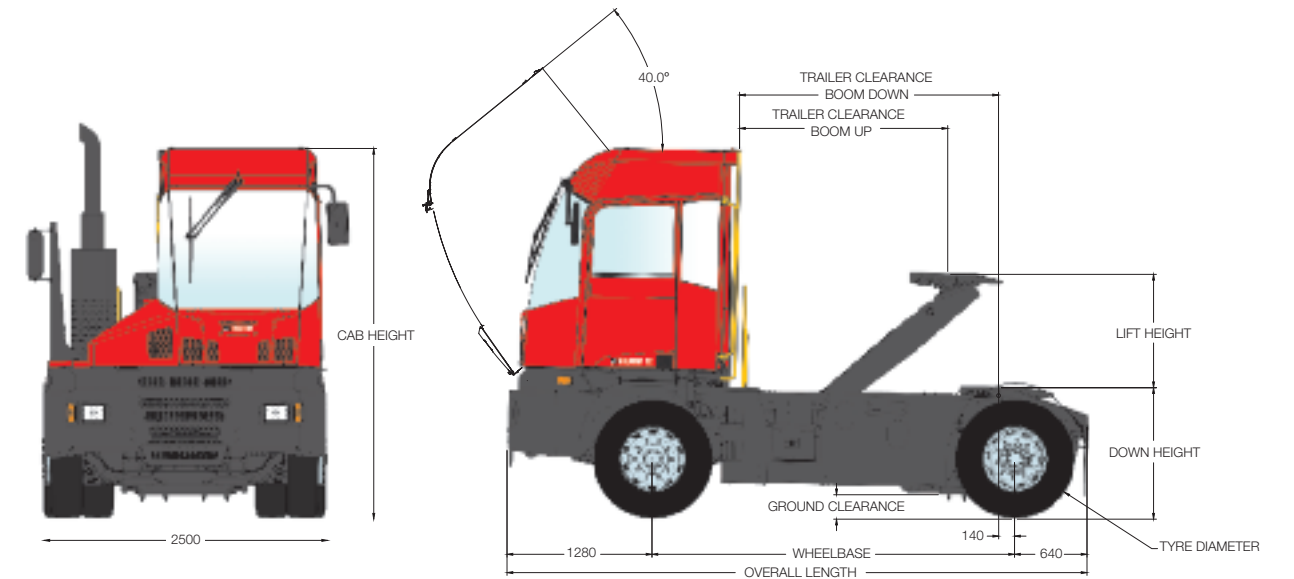
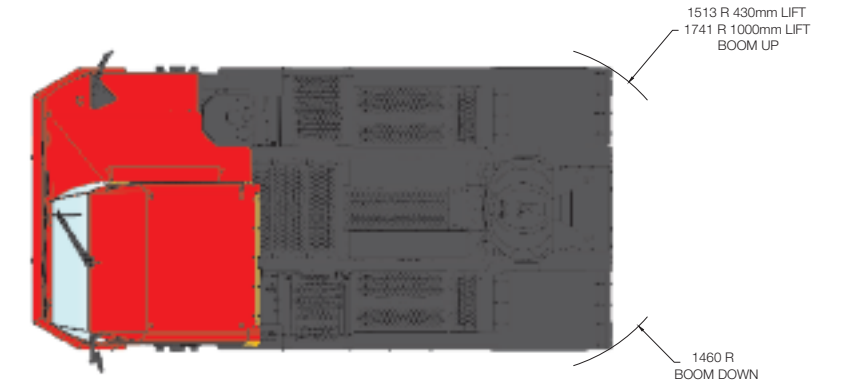
Kalmar T2 terminal tractor

Modular built and with great flexibility, the Kalmar T2 will meet demands from both distribution and port customers.

Wheelbase	Overall length	Trailer clearance		
		Boom up		Boom down
		430mm lift	1000mm lift	
2946 *	4850	1968	N/A	2080
3200 *	5105	2222	1866	2335
3454	5360	2476	2120	2590

* Limitations in trailer clearance with EURO trailers. Please see technical information.

Tyre size	Down height		Cab height	Ground clearance
	Rigid axle	Air suspension W/lowering		
295/60R22.5	1102	1062	3191	123
280/75R22.5	1135	1095	3213	156
11R22.5	1156	1116	3250	177
310/80R22.5	1177	1137	3269	198
11.00 - 20	1180	1140	3292	200



Flexible manufacturing

Chassis

Wheelbase
2946mm
3200mm
3454mm

Drive train

Engine Model	Rated kW @ rpm	Rated torque @ rpm
Cummins QSB6.7 S4 Tier4F/EU Stage4	129 kW @ 2200 rpm	841 Nm @ 1500 rpm
	149 kW @ 2200 rpm	929 Nm @ 1500 rpm
	168 kW @ 2200 rpm	1044 Nm @ 1500 rpm
Volvo TAD571VE S4 Tier4F/EU Stage4	129 kW @ 2300 rpm	810 Nm @ 1200 rpm
Volvo TAD572VE S4 Tier4F/EU Stage4	160 kW @ 2300 rpm	910 Nm @ 1450 rpm

Transmission
Allison 3000RDS
Allison 3500RDS

Front axle options

Axle	Capacity @ speed	Hub
Sisu SSND	10000 KG @ 25 km/h	335mm
Meritor MFS20	10000 KG @ 25 km/h	335mm

Rear axle options

Axle	Ratio	Capacity @ speed
Meritor MOR32	16.92	32000 KG @ 25 km/h
Meritor MOR32	12.27	32000 KG @ 25 km/h
Meritor MOR35	12.27	35000 KG @ 25 km/h
Meritor MOR35	16.92	35000 KG @ 25 km/h
Sisu SRDP	12.28	32000 KG @ 25 km/h
Sisu SRDP	16.41	32000 KG @ 25 km/h
Rear axle differential lock		
Rear axle air suspension with lowering		

Load carrying devices

Product	Lift height	Capacity
Stationary 5th wheel	-	-
Distribution pkg	431mm	20T
LOLO port pkg	431mm	28T
LOLO port pkg	431mm	32T
LOLO port pkg	431mm	36T
RORO port pkg	813mm	32T
RORO port pkg	1000mm	32T

Fifth wheel

Product	Capacity
Holland FW 35	32000 KG
Holland FW 3510-TR-EG	36000 KG
Holland FW 2870	45000 KG





Kalmar offers the widest range of cargo handling solutions and services to ports, terminals, distribution centres and to heavy industry. Kalmar is the industry forerunner in terminal automation and in energy efficient container handling, with one in four container movements around the globe being handled by a Kalmar solution. Through its extensive product portfolio, global service network and ability to enable a seamless integration of different terminal processes, Kalmar improves the efficiency of every move. www.kalmarglobal.com

Kalmar
Porkkalankatu 5
FI-00180 Helsinki, Finland
tel. +358 20 777 4000

Published by Kalmar, part of Cargotec. Copyright ©Cargotec 2015. All rights reserved. No part of this publication may be copied or reproduced without permission of the copyright owner. The content of this document is provided "as is", without warranties of any kind with regards to its accuracy or reliability and excluding all implied warranties. We reserve the rights to make changes to any of the items described in this document without prior notice. The content of each service contract and availability of particular services may vary.